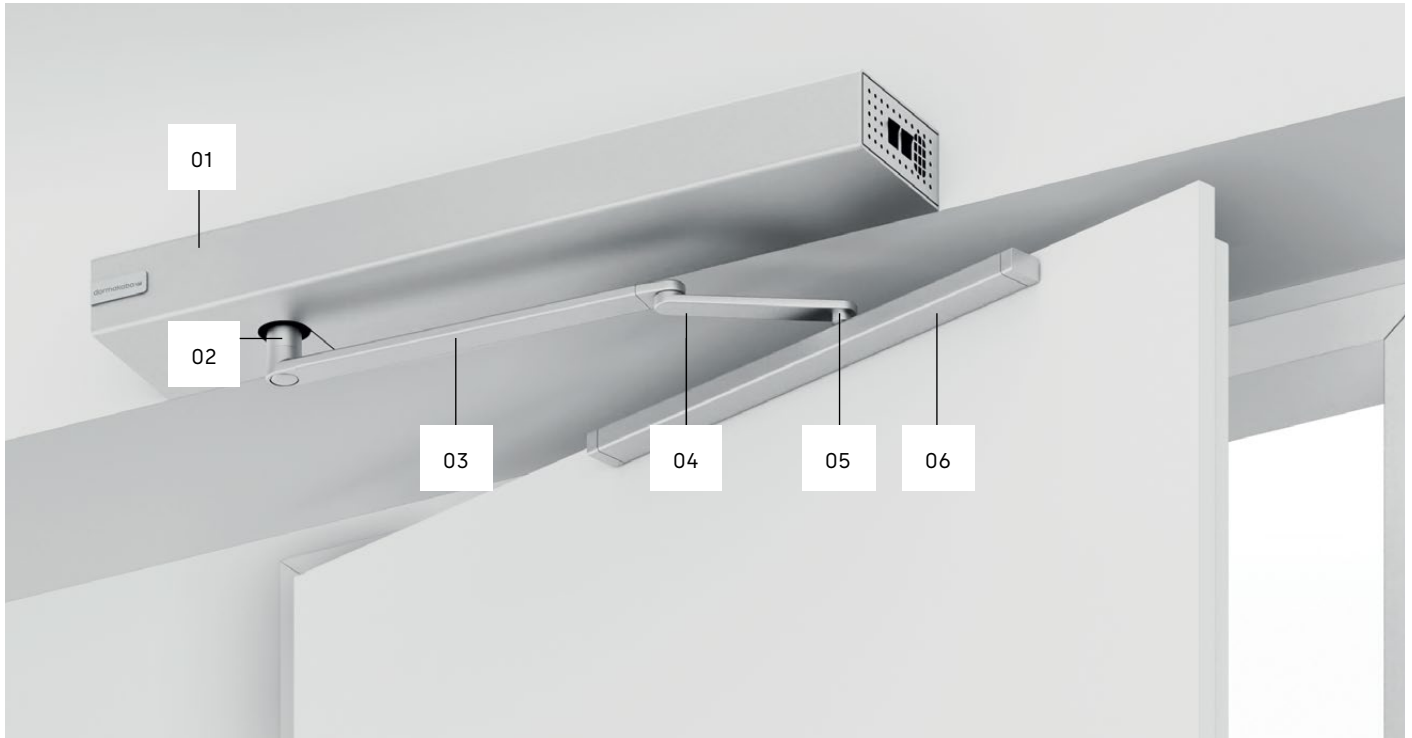


# ED Slide Channel Sets for ED Operators

## Mounting on the hinge side



The ED door operator can be mounted on either the hinge or the opposite hinge side, depending on the requirements. Depending on the reveal depth and position in relation to the door leaf, a customized solution is created from a Slide Channel Set or ED standard arm, spindle extension and lever bolt variant. The following slide channel sets can be used in combination with an ED 100 or ED 250 on doors on the hinge side (pull version):

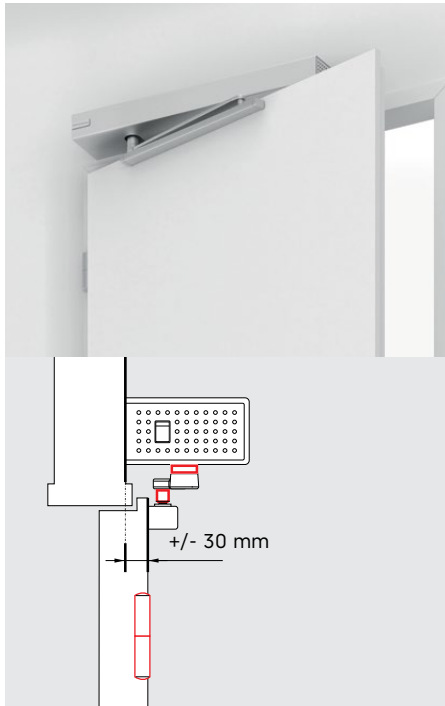
- 01 ED operator
- 02 Axle extension
- 03 Lever
- 04 Plate cpd 250
- 05 Lever pin
- 06 Slide Channel

### Operator Mounting on the hinge side (pull version)

	ED 100	ED 250
<b>ED Slide Channel Set*</b>		
	ST +/- 30 mm	ST +/- 30 mm
<b>ED Slide Channel Set cpd</b>		
	ST 30 - 60 mm	ST 30 - 60 mm
<b>ED Slide Channel Set cpd 250</b>		
	ST 60 - 250 mm**	ST 60 - 250 mm**

ST = lintel depth | \*The slide channel set is also suitable for mounting on the push side (for fire doors up to max. 1100 mm leaf width); \*\* for fire and smoke protection doors maximum reveal depth 100 mm

# ED Slide Channel Sets versions for mounting on the hinge side

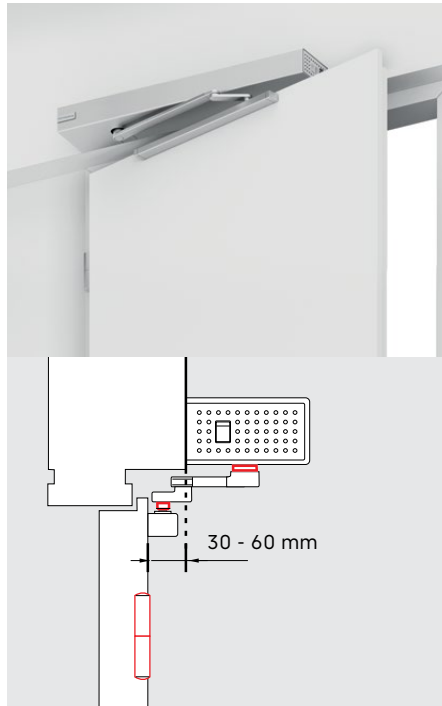


## Slide Channel Set

ED Slide Channel Set with standard lever suitable for reveal depths\* from -30 to 30 mm and door widths of at least 700 mm for single-leaf doors and at least 1400 mm for double-leaf doors.

### Versions

silver	29275021
white	29275022
special color	29275023

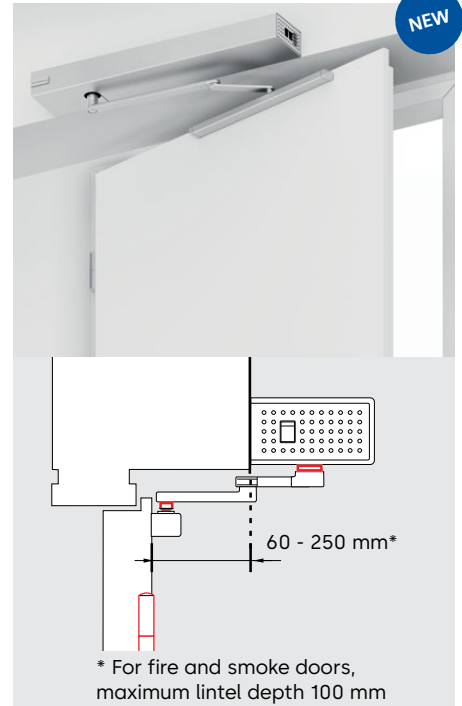


## Slide Channel Set cpd

ED Slide Channel Set with lever cpd suitable for reveal depths from 30 to 60 mm and door leaf widths of at least 700 mm for single-leaf doors and at least 1400 mm for double-leaf doors.

### Versions

Silver	29276021
White	29276022
Special color	29276023



## Slide Channel Set cpd 250

ED Slide Channel Set with lever cpd 250 suitable for reveal depths of 60 to 250 mm\* and door leaf widths of at least 850 mm for single-leaf doors and at least 1700 mm for double-leaf doors. Requirement: The ED operator is installed with firmware V3.2 or higher.

### Versions

Silver	29276028
White	29276029
Special color	29276030

\*The slide channel set is also suitable for mounting on the push side (fire protection up to 1100 mm)

**Do you have any questions? We are happy to advise you and look forward to meeting you.**

dormakaba Suomi Oy | Mannerheimintie 113, 00280 Helsinki | P: 010-218 81 00 | info.fi@dormakaba.com | www.dormakaba.fi

ESA\_FAS\_ED Slide Channel Sets\_EN\_0001190\_01